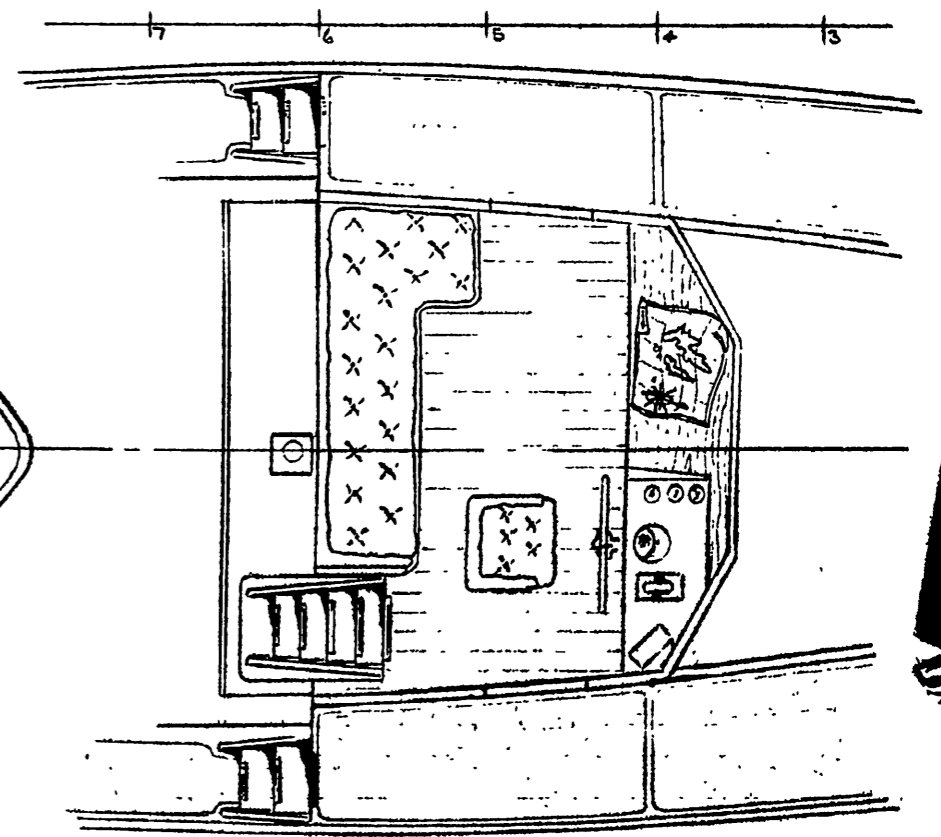
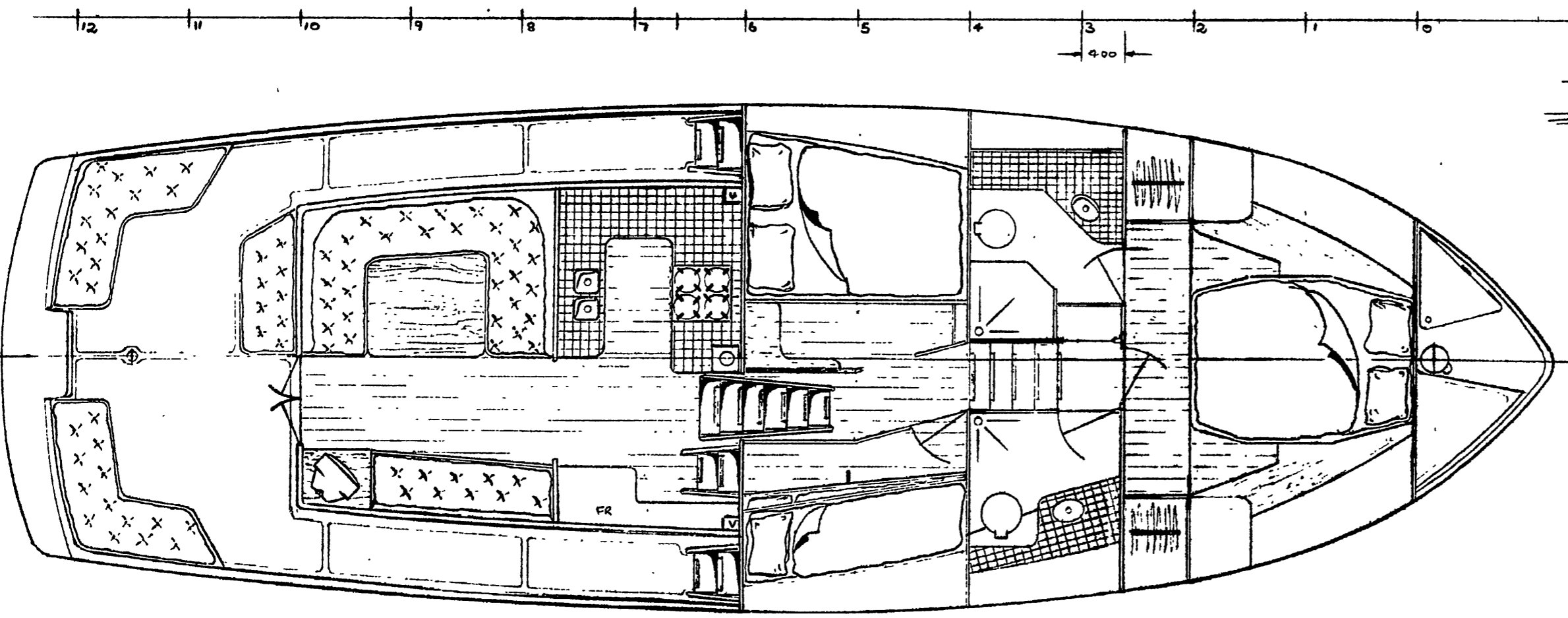
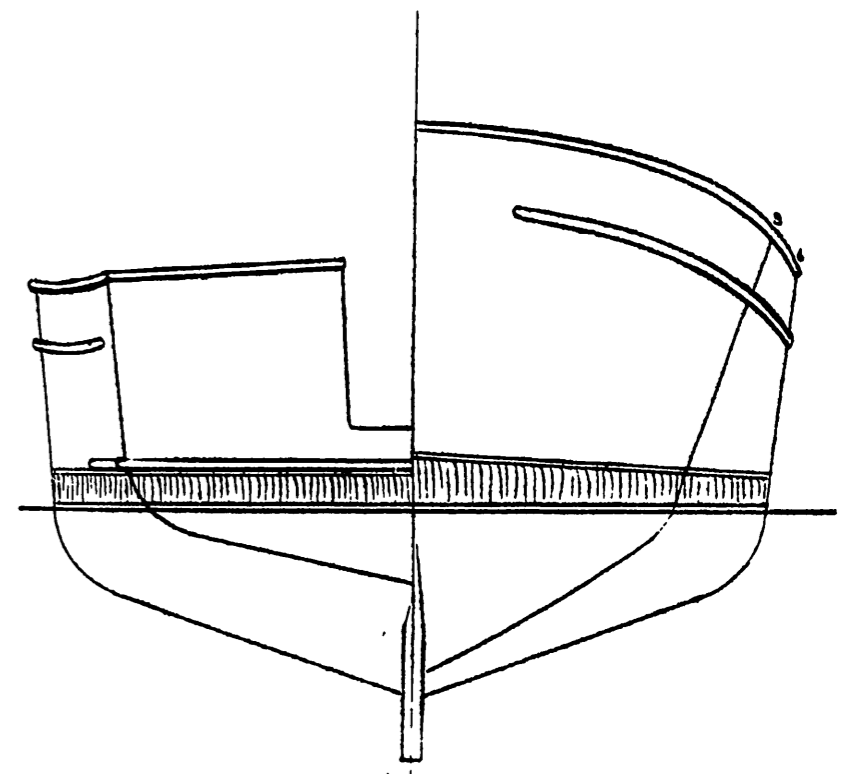
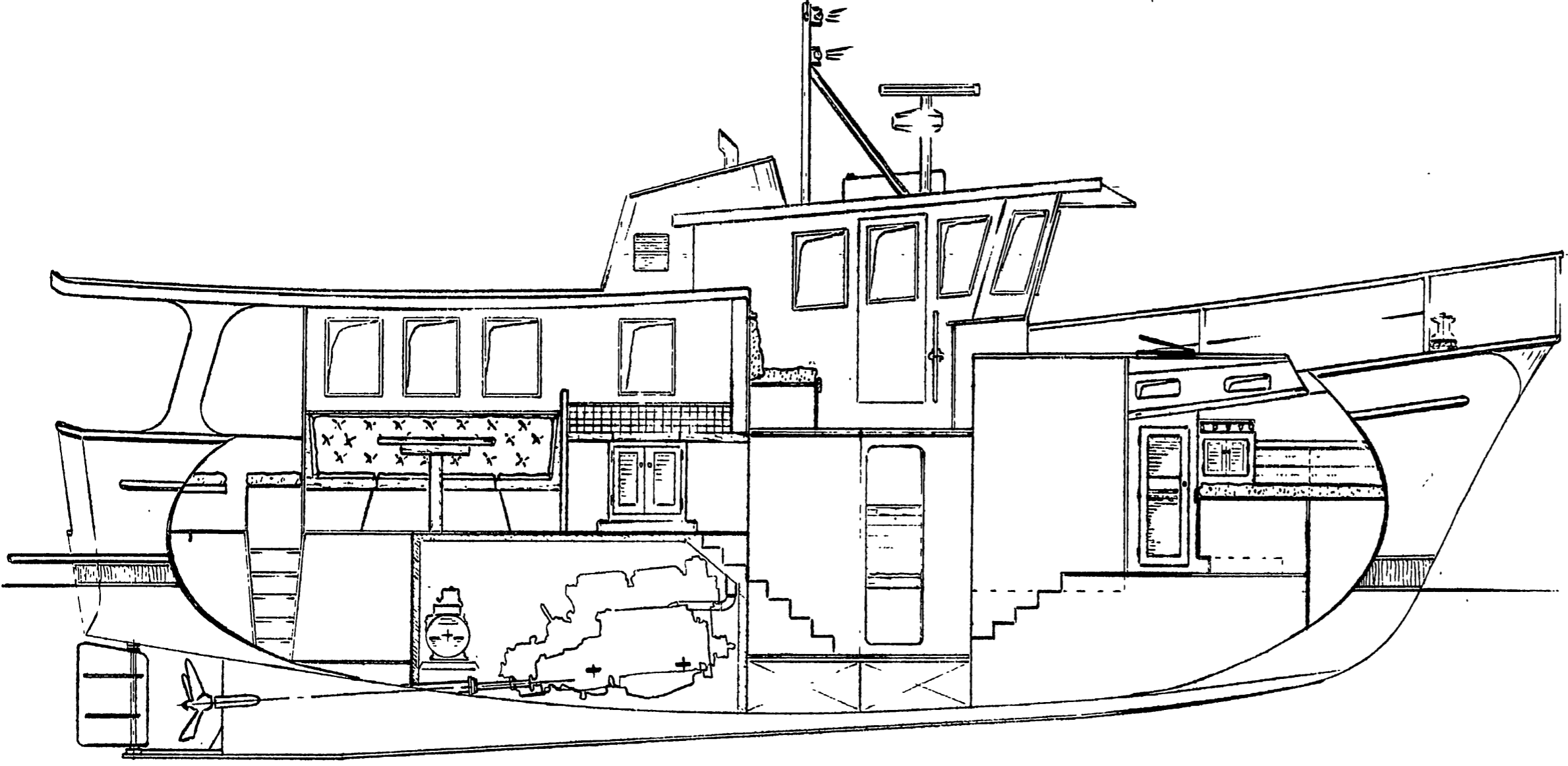


LOA	13.75	45'-0"
LWL	12.0	39'-4"
BEAM	4.6	15'-0"
DRAFT	1.55	5'-0"
DISPL	25-27 TONNES	



MAY 95  
 SUNG 95  
 MOVE FRD BUNK & TOILET 24 IN  
 MOVE BUNK & TOILET BACK AS ORIGINAL  
 RAISE FRD CABIN FLOOR.

# MARY T

Ganley Yachts Limited ©

2

DATE	1:25
DATE	JAN 95